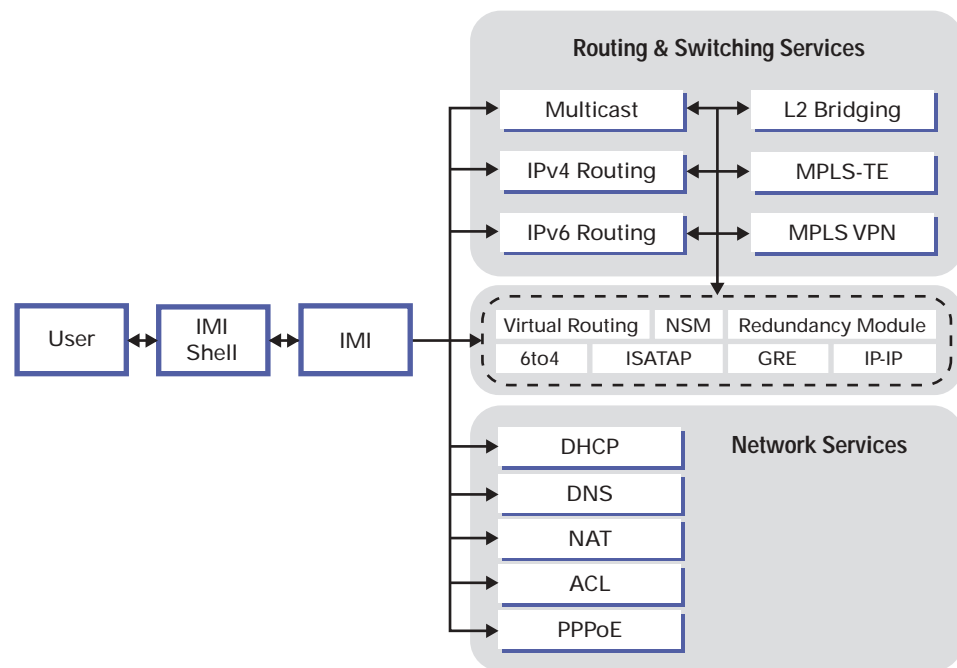


Management Interface Modules

Overview

IP Infusion's ZebOS® Advanced Routing Suite (ARS) Management Interface Modules provide a comprehensive set of tools to manage and control the ZebOS routing and switching protocols. These tools consist of the Integrated Management Interface (IMI) Module, IMI Shell Module, Basic Access Module, and IPv6 Tunneling & Transition Module. The Management Interface Modules enable hardware manufacturers to seamlessly integrate a complete management plane with an industry-standard CLI to their routing and switching equipment as well as rapidly build and provision enhanced IP services solutions for access equipment.



The ZebOS IMI Module offers complete, unified management of the ZebOS Network Services Module (NSM) and the individual ZebOS ARS protocols. It allows a system administrator to configure and monitor all of the ZebOS daemons through one centralized user connection. As a stand-alone management daemon, the IMI maintains a persistent connection to routing daemons, stores configuration data and offers extensive monitoring and logging capabilities. The ZebOS IMI provides a feature-rich, hierarchical CLI that includes Exec, Privileged Exec, Configure, Router, and Interface command modes. It also supports syntax checking, command auto-completion and context-sensitive help.

In addition the ZebOS IMI allows the end-user to easily configure and manage network services featured in the Linux operating system, such as DNS, DHCP, NAT, ACL, and PPPoE, through the Basic Access Module. The Basic Access Module offers a series of interfaces that enable equipment vendors to easily and rapidly integrate access software into their products and pass on the ease of manageability to their end users.

ZebOS IMI Shell is a client application that connects to the IMI and enables SSH or Telnet management and may be deployed on the routing equipment or on a separate management console. The ZebOS IMI Shell supports role-based management, leveraging the secure authentication method of the operating system to manage and validate usernames and passwords. In addition, the ZebOS IMI Shell supports sophisticated input and output functions, for example to allow an administrator to save the output of a show command to a file.

The IPv6 Tunneling & Transition Module provides tools and a command line interface (CLI) via the ZebOS Network Services Module to configure and set parameters of IPv6 to IPv4 transition and tunneling protocols such as 6to4, Intra-Site Automatic Tunnel Addressing Protocol (ISATAP), Generic Routing Encapsulation (GRE), and IP-in-IP encapsulation protocols. These features deliver enhanced performance, easy integration and management for access product OEMs/ODMs.

Features

IMI AND IMI SHELL	BASIC ACCESS	IPV6 TUNNELING & TRANSITION
<ul style="list-style-type: none"> • Centralized management of all ZebOS modules from an industry standard CLI • Hierarchical command line structure • CLI support for <ul style="list-style-type: none"> - Command auto-completion - Syntax checking - Command history - Context-sensitive help and list and "?" command support • Extensive debug and syslog logging options 	<ul style="list-style-type: none"> • DNS Client • DHCP Client/Server • PPPoE Client • Network Address Translation (NAT) • Access Control List (ACL) • Virtual Server 	<ul style="list-style-type: none"> • 6to4 transition • ISATAP • GRE Encapsulation • IP-in-IP Tunneling

Benefits

- Stable and robust CLI implementation
- Full integration with the ZebOS routing and switching modules
- Single point of configuration and monitoring
- Platform-independent implementation
- Extensibility allowing equipment vendors to easily add new protocols and commands
- Intelligent design for seamless integration with existing management applications
- Consolidation of ZebOS ARS settings to a single configuration file
- Delivers significant time-to-market advantages for customer

Supported Operating Systems

- RedHat Linux
- MontaVista Linux Professional Edition
- Solaris*
- NetBSD*
- VxWorks**

* ZebOS IMI and IMI Shell Modules only

** ZebOS IMI Module only

Requirements

ZEBOS PRODUCT & SKU	REQUIREMENT
IMI Module	ZebOS Network Services Module
IMI Shell Module	ZebOS IMI Module
Basic Access Module	ZebOS IMI Module
IPv6 Tunneling & Transition Module	ZebOS Network Services Module



IP Infusion Inc.
 111 W. St. John Street
 Suite 910
 San Jose, CA 95113
 tel: 408.794.1500
 fax: 408.278.0521
sales@ipinfusion.com
www.ipinfusion.com

© Copyright 2004 IP Infusion Inc. All Rights Reserved. ZebOS and IP Infusion are registered trademarks and the ipinfusion logo is a trademark of IP Infusion Inc. All other brands or product names are trademarks or registered trademarks of their respective holders. All specifications within this document are subject to change without notice. Contact Sales for current feature availability.

Part No. 018230 - 03/2004